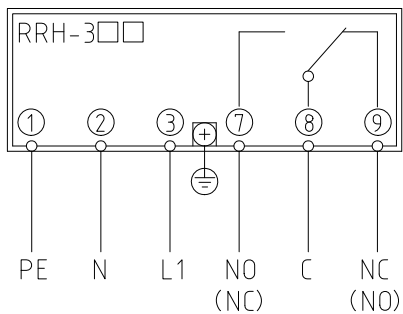
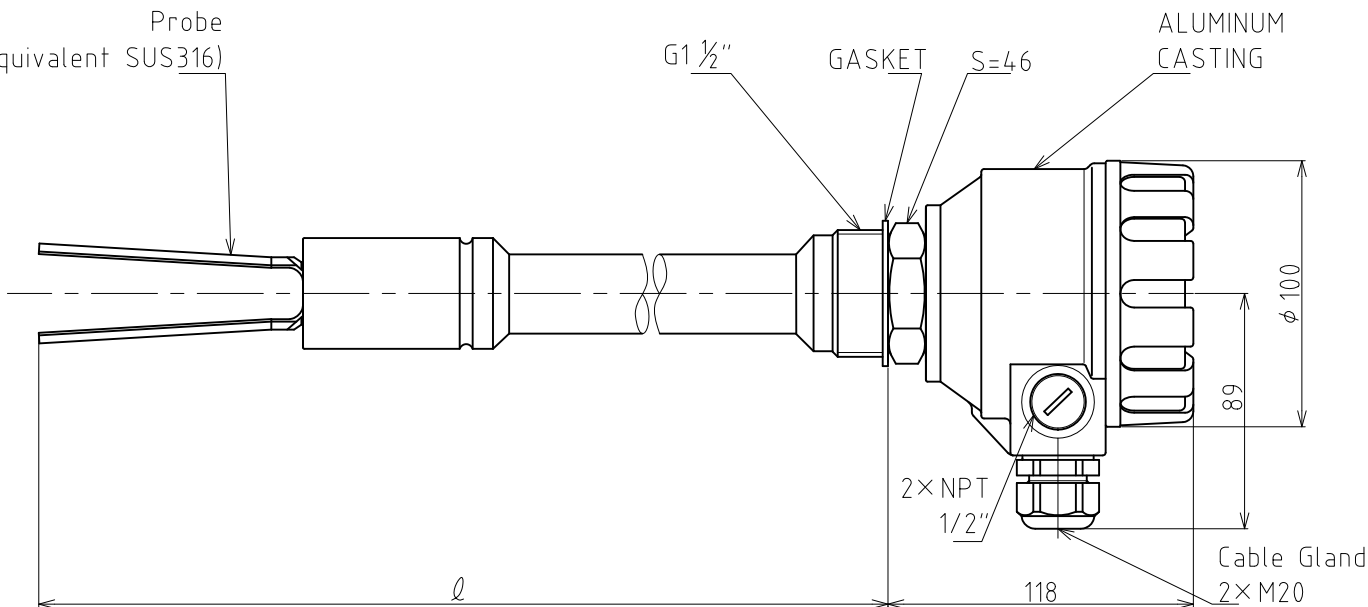


Probe
DIN1.4571(Equivalent SUS316)



Supply voltage : AC20~255V
: DC20~60V

PE :Gland
N :Power(-)
L1 :Power(+)
C :Common
NC :Normally Close
NO :Normally Open

MODEL	ℓ	NOTE	Q'ty	MODEL	ℓ	NOTE	Q'ty
RRH-303-0	300			RRH-307-0	650		
RRH-304-0	350				700		
	400			RRH-308-0	750		
RRH-305-0	450				800		
	500			RRH-309-0	850		
RRH-306-0	550				900		
	600			RRH-310-0	950		
					1000		

○ (Required length)

a reduced drawing(A3 size)

Q'ty:

図章 CHANGE NOTICE	承認 APPROVED	検図 CHECKED	製図 DRAWN ohno	名称 TITLE RRH-3□□-0 VIBRATION TYPE LEVEL SWITCH
	第三角法 THIRD ANGLE PROJECTION	尺度 SCALE 1:2	日付 DATE Mar,4,2016	図面番号 DRG. No. HVR-2029
			東和制電工業株式会社 TOWA SEIDEN INDUSTRIAL CO., LTD.	