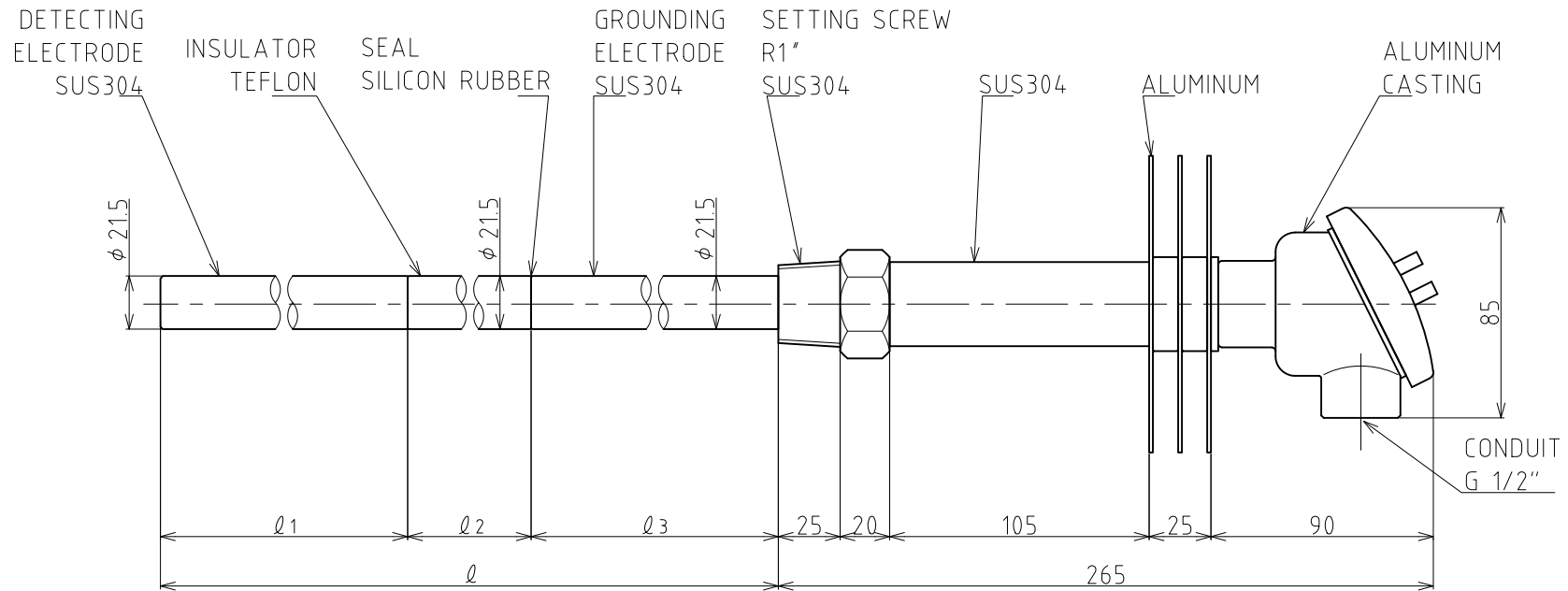


COLOR : 10YR7.5/14



TERMINAL  
 ○ ○  
 P E  
 TO CONVERTER

MODEL	ℓ	ℓ <sub>1</sub>	ℓ <sub>2</sub>	ℓ <sub>3</sub>	NOTE	Q'ty	MODEL	ℓ	ℓ <sub>1</sub>	ℓ <sub>2</sub>	ℓ <sub>3</sub>	NOTE	Q'ty
TSS-C1SA-025	250	100	50	100			TSS-C1SA-065	650	150	50	450		
TSS-C1SA-030	300	100	50	150			TSS-C1SA-070	700	150	50	500		
TSS-C1SA-035	350	100	50	200			TSS-C1SA-075	750	150	50	550		
TSS-C1SA-040	400	100	50	250			TSS-C1SA-080	800	150	50	600		
TSS-C1SA-045	450	100	50	300			TSS-C1SA-085	850	150	50	650		
TSS-C1SA-050	500	100	50	350			TSS-C1SA-090	900	150	50	700		
TSS-C1SA-055	550	150	50	350			TSS-C1SA-095	950	150	50	750		
TSS-C1SA-060	600	150	50	400			TSS-C1SA-100	1000	150	50	800		

○ (Required length)

○ (Required length)

a reduced drawing (A3size~)

Q'ty:

図章 CHANGE NOTICE 承認 APPROVED 検図 CHECKED 製図 DRAWN takahashi 日付 DATE Sep.14.2016 東和制電工業株式会社 TOWA SEIDEN INDUSTRIAL CO., LTD.	温度 IN THE TANK: max.200°C 名称 TITLE TSS-C1SA-□ CAPACITANCE TYPE LEVEL SENSOR 図面番号 DRG. No. HE-13023
第三角法 THIRD ANGLE PROJECTION 尺度 SCALE 1:2	東和制電工業株式会社 TOWA SEIDEN INDUSTRIAL CO., LTD.