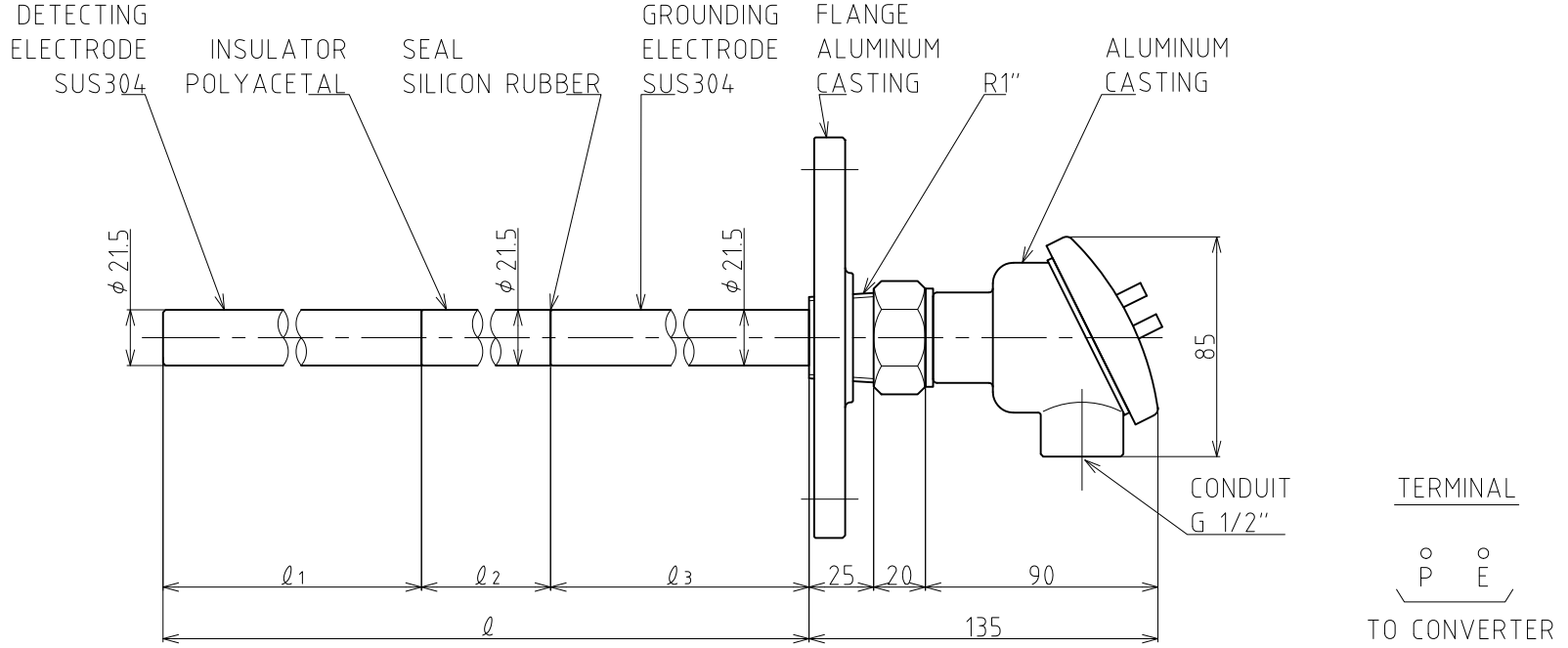


COLOR : 10YR7.5/14



FLANGE	JIS5K 65A
MATERIAL	ALUMINUM CASTING
OUTSIDE DIAMETER	$\phi 155$
DIAMETER OF BOLT CIRCLE	$\phi 130$
DIAMETER OF BOLT HOLES	$\phi 15$
NUMBER OF BOLT HOLES	4
THICKNESS	12

MODEL	l	l_1	l_2	l_3	NOTE	Q'ty	MODEL	l	l_1	l_2	l_3	NOTE	Q'ty
TSS-A4SA-025	250	100	50	100			TSS-A4SA-065	650	150	50	450		
TSS-A4SA-030	300	100	50	150			TSS-A4SA-070	700	150	50	500		
TSS-A4SA-035	350	100	50	200			TSS-A4SA-075	750	150	50	550		
TSS-A4SA-040	400	100	50	250			TSS-A4SA-080	800	150	50	600		
TSS-A4SA-045	450	100	50	300			TSS-A4SA-085	850	150	50	650		
TSS-A4SA-050	500	100	50	350			TSS-A4SA-090	900	150	50	700		
TSS-A4SA-055	550	150	50	350			TSS-A4SA-095	950	150	50	750		
TSS-A4SA-060	600	150	50	400			TSS-A4SA-100	1000	150	50	800		

○ (Required length)

○ (Required length)

a reduced drawing (A3size~)

Q'ty:

図番 CHANGE NOTICE	承認 APPROVED	検図 CHECKED	製図 DRAWN takahashi	名称 TITLE CAPACITANCE TYPE LEVEL SENSOR
	第三角法 THIRD ANGLE PROJECTION	尺度 SCALE 1:2	日付 DATE Sep.14.2016	TSS-A4SA-□
			東和制電工業株式会社 TOWA SEIDEN INDUSTRIAL CO., LTD.	図面番号 DRG. No. HE-13019