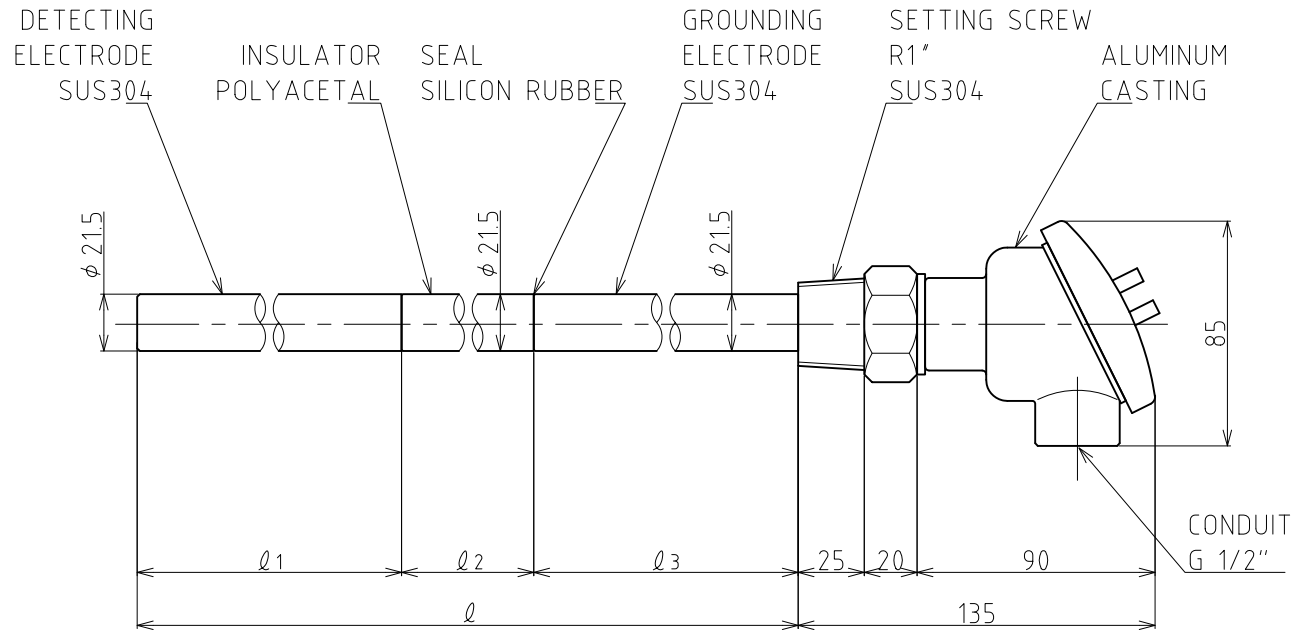
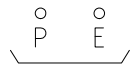


COLOR : 10YR7.5/14



MODEL	ℓ	ℓ <sub>1</sub>	ℓ <sub>2</sub>	ℓ <sub>3</sub>	NOTE	Q'ty	MODEL	ℓ	ℓ <sub>1</sub>	ℓ <sub>2</sub>	ℓ <sub>3</sub>	NOTE	Q'ty
TSS-A1SA-025	250	100	50	100			TSS-A1SA-065	650	150	50	450		
TSS-A1SA-030	300	100	50	150			TSS-A1SA-070	700	150	50	500		
TSS-A1SA-035	350	100	50	200			TSS-A1SA-075	750	150	50	550		
TSS-A1SA-040	400	100	50	250			TSS-A1SA-080	800	150	50	600		
TSS-A1SA-045	450	100	50	300			TSS-A1SA-085	850	150	50	650		
TSS-A1SA-050	500	100	50	350			TSS-A1SA-090	900	150	50	700		
TSS-A1SA-055	550	150	50	350			TSS-A1SA-095	950	150	50	750		
TSS-A1SA-060	600	150	50	400			TSS-A1SA-100	1000	150	50	800		

TERMINAL



TO CONVERTER

○ (Required length)

○ (Required length)

a reduced drawing (A3size~)

Q'ty:

図曆 CHANGE NOTICE

承認 APPROVED

検図 CHECKED

製図 DRAWN

takahashi

名称 TITLE

TSS-A1SA-□ CAPACITANCE TYPE LEVEL SENSOR

第三角法  
THIRD ANGLE  
PROJECTION

尺度 SCALE  
1:2

日付 DATE  
Sep.14.2016

東和制電工業株式会社  
TOWA SEIDEN INDUSTRIAL CO., LTD.

図面番号  
DRG. No.

HE-13015