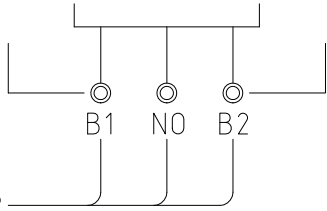
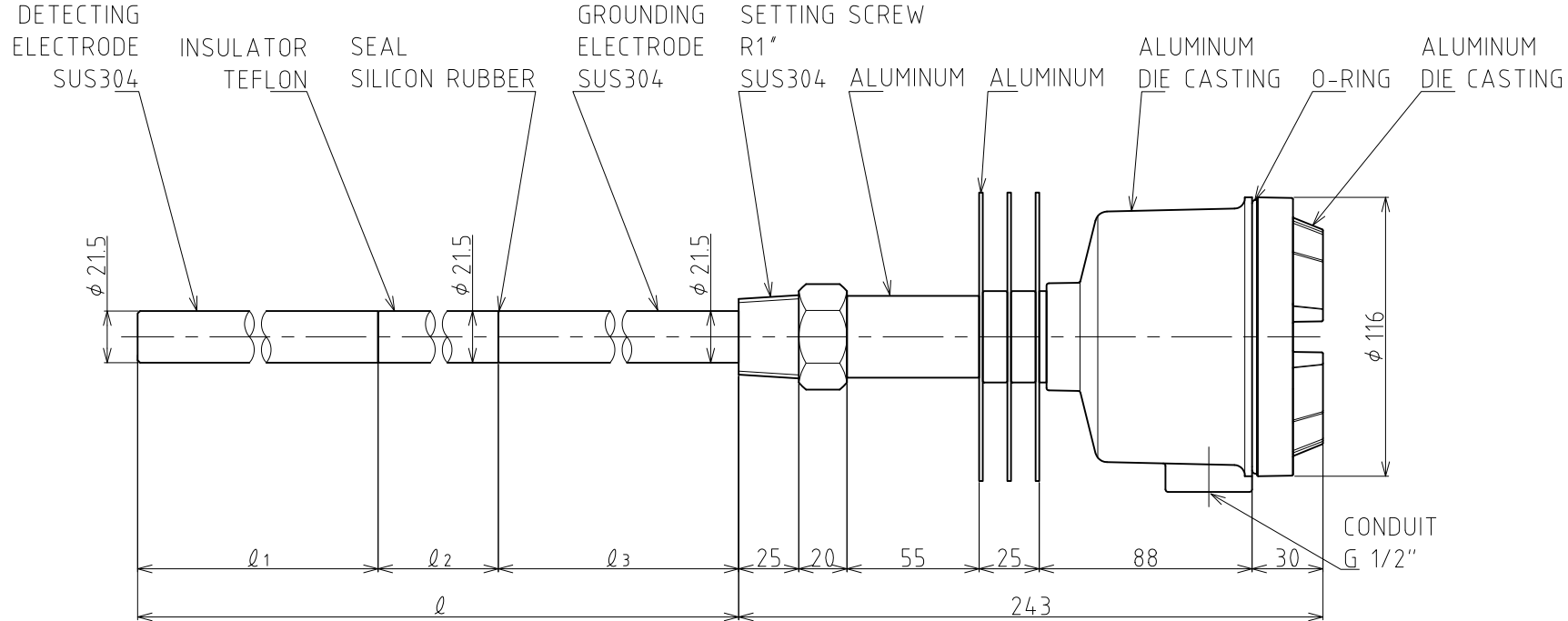


COLOR : 10YR7.5/14



CONVERTOR

MODEL	ℓ	ℓ ₁	ℓ ₂	ℓ ₃	NOTE	Q'ty	MODEL	ℓ	ℓ ₁	ℓ ₂	ℓ ₃	NOTE	Q'ty
TSE-B1SA-025	250	100	50	100			TSE-B1SA-065	650	150	50	450		
TSE-B1SA-030	300	100	50	150			TSE-B1SA-070	700	150	50	500		
TSE-B1SA-035	350	100	50	200			TSE-B1SA-075	750	150	50	550		
TSE-B1SA-040	400	100	50	250			TSE-B1SA-080	800	150	50	600		
TSE-B1SA-045	450	100	50	300			TSE-B1SA-085	850	150	50	650		
TSE-B1SA-050	500	100	50	350			TSE-B1SA-090	900	150	50	700		
TSE-B1SA-055	550	150	50	350			TSE-B1SA-095	950	150	50	750		
TSE-B1SA-060	600	150	50	400			TSE-B1SA-100	1000	150	50	800		

○ (Required length)

○ (Required length)

INTRINSIC SAFETY TYPE OF EXPLOSION-PROTECTION
Explosion class and Ignition of explosive gases:ia3nG5

a reduced drawing (A3size~)

Q'ty:

<input type="checkbox"/> CHANGE NOTICE <input type="checkbox"/> APPROVED <input type="checkbox"/> CHECKED <input type="checkbox"/> DRAWN takahashi 日付 DATE Sep,26,2016	承認 APPROVED 検閲 CHECKED 製図 DRAWN takahashi 日付 DATE Sep,26,2016	第三角法 THIRD ANGLE PROJECTION 尺度 SCALE 1:2	温度 IN THE TANK: max.150°C 名称 TITLE TSE-B1SA-□ CAPACITANCE TYPE LEVEL SENSOR 図面番号 DRG. No. HE-14021
東和制電工業株式会社 TOWA SEIDEN INDUSTRIAL CO., LTD.			図面番号 DRG. No. HE-14021