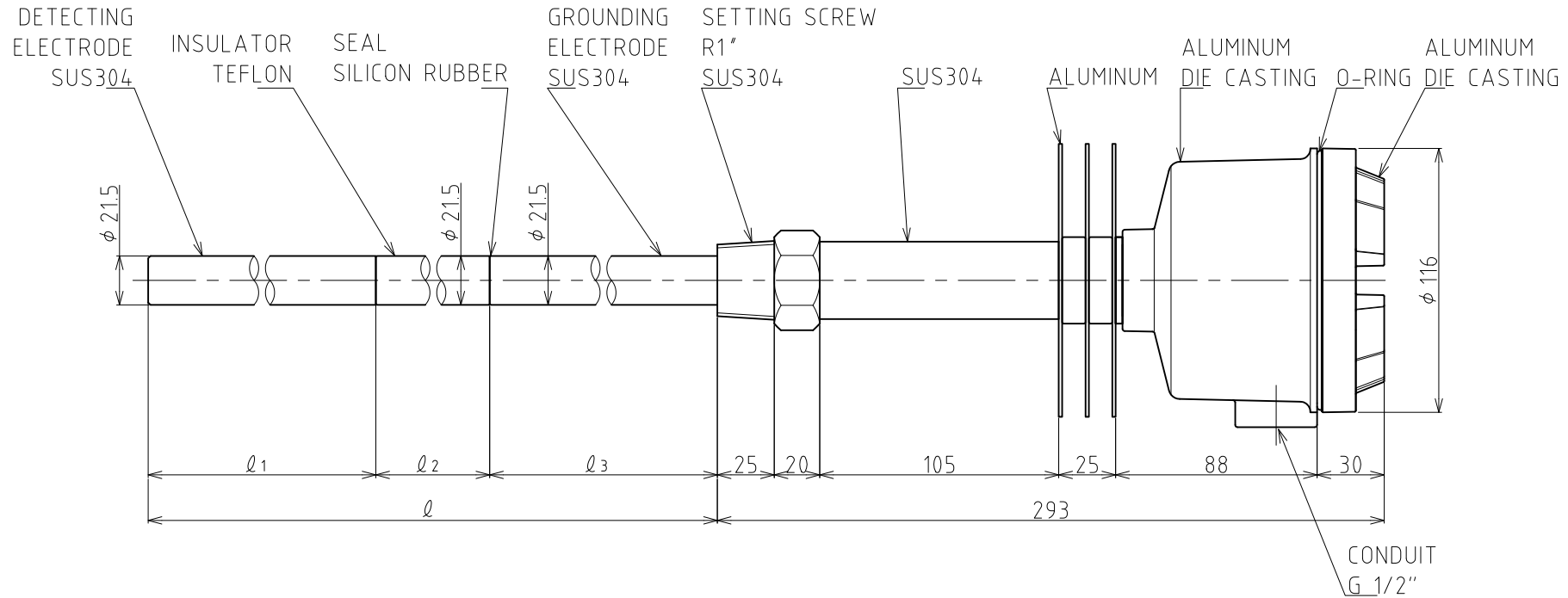
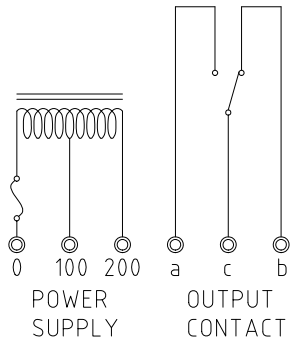


COLOR : 10YR7.5/14



RESISTANCE LOAD 3AMP 250V AC



| | MODEL | ℓ | ℓ ₁ | ℓ ₂ | ℓ ₃ | NOTE | Q'ty | | MODEL | ℓ | ℓ ₁ | ℓ ₂ | ℓ ₃ | NOTE | Q'ty |
|--|--------------|-----|----------------|----------------|----------------|------|------|--|--------------|------|----------------|----------------|----------------|------|------|
| | TSA-C1SA-025 | 250 | 100 | 50 | 100 | | | | TSA-C1SA-065 | 650 | 150 | 50 | 450 | | |
| | TSA-C1SA-030 | 300 | 100 | 50 | 150 | | | | TSA-C1SA-070 | 700 | 150 | 50 | 500 | | |
| | TSA-C1SA-035 | 350 | 100 | 50 | 200 | | | | TSA-C1SA-075 | 750 | 150 | 50 | 550 | | |
| | TSA-C1SA-040 | 400 | 100 | 50 | 250 | | | | TSA-C1SA-080 | 800 | 150 | 50 | 600 | | |
| | TSA-C1SA-045 | 450 | 100 | 50 | 300 | | | | TSA-C1SA-085 | 850 | 150 | 50 | 650 | | |
| | TSA-C1SA-050 | 500 | 100 | 50 | 350 | | | | TSA-C1SA-090 | 900 | 150 | 50 | 700 | | |
| | TSA-C1SA-055 | 550 | 150 | 50 | 350 | | | | TSA-C1SA-095 | 950 | 150 | 50 | 750 | | |
| | TSA-C1SA-060 | 600 | 150 | 50 | 400 | | | | TSA-C1SA-100 | 1000 | 150 | 50 | 800 | | |

↑ ○ (Required length)

↑ ○ (Required length)

a reduced drawing (A3size~)

Q'ty:

| | | | | | |
|--|-----------------------------------|-----------------|-----------------------|---|--|
| <input type="checkbox"/> CHANGE NOTICE 承認 APPROVED 検図 CHECKED 製図 DRAWN takahashi | 第三角法 THIRD ANGLE PROJECTION | 尺度 SCALE 1:2 | 日付 DATE Aug,4,2016 | TEMPERATURE IN THE TANK:max.200℃ 東和制電工業株式会社 TOWA SEIDEN INDUSTRIAL CO., LTD. | 名称 TITLE TSA-C1SA-□ CAPACITANCE TYPE LEVEL SENSOR 図面番号 DRG. No. HE-11021 |
|--|-----------------------------------|-----------------|-----------------------|---|--|