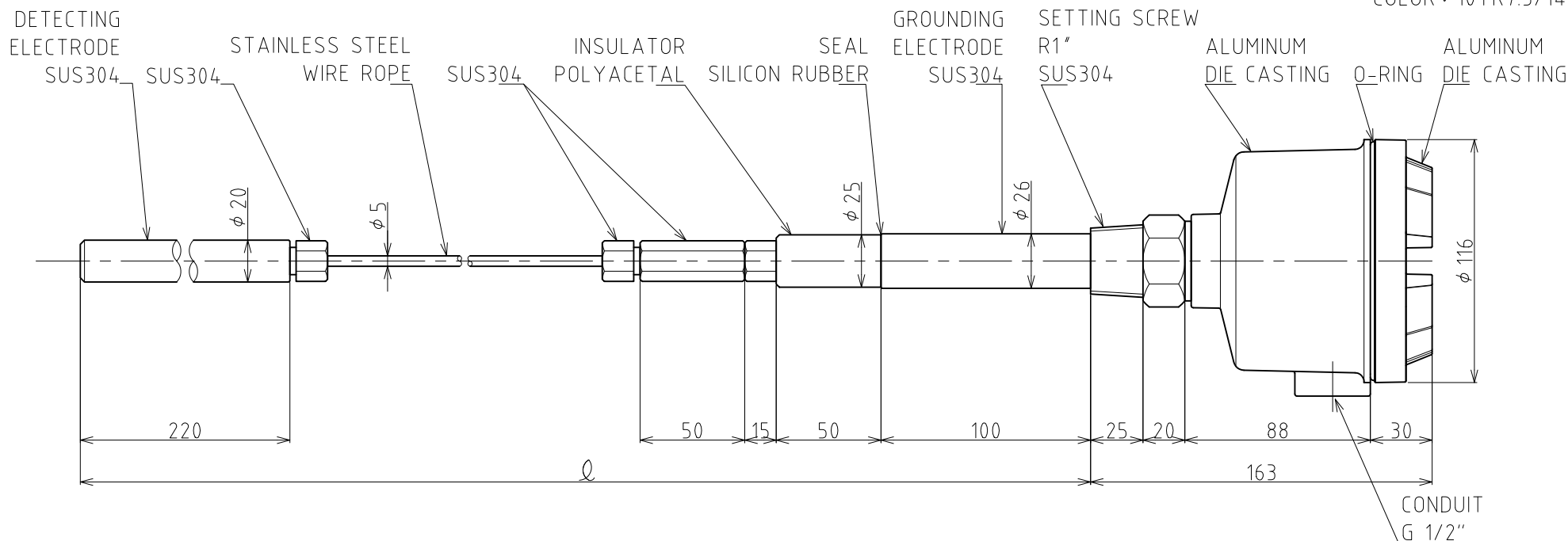
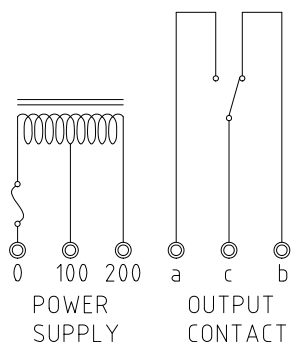


COLOR : 10YR7.5/14



RESISTANCE LOAD 3AMP 250V AC



MODEL	ℓ	NOTE	Q'ty
TSA-A1WA-100	1000		
TSA-A1WA-200	2000		
TSA-A1WA-300	3000		
TSA-A1WA-400	4000		
TSA-A1WA-500	5000		
TSA-A1WA-600	6000		
TSA-A1WA-700	7000		
TSA-A1WA-800	8000		
TSA-A1WA-900	9000		
TSA-A1WA-A10	10000		

○ (Required length)  
a reduced drawing (A3size~)

Q'ty:

<input type="checkbox"/> CHANGE NOTICE 承認 APPROVED 検図 CHECKED 製図 DRAWN takahashi	第三角法 THIRD ANGLE PROJECTION	尺度 SCALE 1:2	日付 DATE Aug,4,2016	名称 TITLE TSA-A1WA-□ CAPACITANCE TYPE LEVEL SENSOR 東和制電工業株式会社 TOWA SEIDEN INDUSTRIAL CO., LTD.	図面番号 DRG. No. HE-11022
--	-----------------------------------	-----------------	-----------------------	---	---------------------------